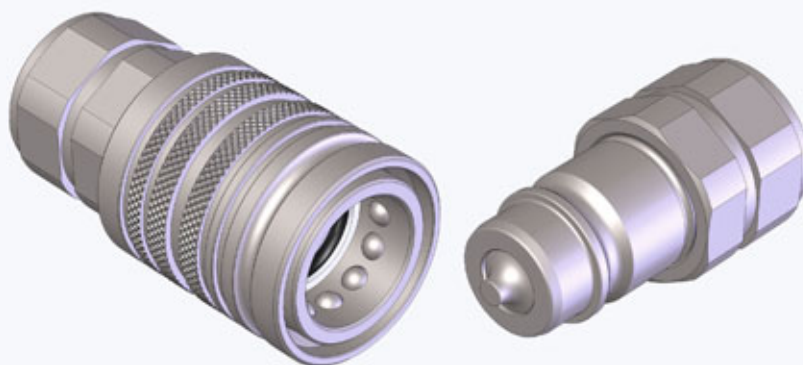


PUSH PULL

VALVOLA
POPPET
VENTIL
CLAPET



Caratteristiche tecniche I

- Norma: ISO 7241 A (DN10→DN25)
- Ghiera: doppia azione
- Occlusione: valvola
- Aggancio: sfere radiali
- Materiale: acciaio
- Finitura: Zn-Fe (Cr III)
- Filettature: BSP - NPT - SAE - METRICHE
- Guarnizioni standard: NBR
- Temperatura d'esercizio: -25 °C +100 °C
- Guarnizioni opzionali: FKM, EPDM o altro
- Pressioni di esercizio: 225-350 bar
- Connessione in pressione: non consentita

Technical data E

- Standard: ISO 7241 A (DN10→DN25)
- Sleeve: double acting
- Occlusion: poppet
- Locking: radial balls
- Material: steel
- Finishing: Zn-Fe (Cr III)
- Threads: BSP - NPT - SAE - METRICS
- Standard seals: NBR
- Working temperature: -25 °C +100 °C
- Optional seals: FKM, EPDM or more
- Working pressure: 225-350 bar
- Connection under pressure: not allowed

Nominal size	Max working pressure	Rated flow	Max flow rate	Min burst pressure			Fluid spillage			
				Male	Female	Coupled				
DNP	BG	ISO	mm	MPa	l/min	l/min	MPa	MPa	MPa	cc
06	1	6.3	5	35	12	17	100	240	170	0.5
10	2	10	8.5	30	23	46	130	150	130	1.9
13	3	12.5	10.5	25	45	90	95	160	110	2.7
20	4	20	15.7	25	106	190	120	140	110	9.3
25	5	25	17.3	22.5	189	280	90	110	100	16

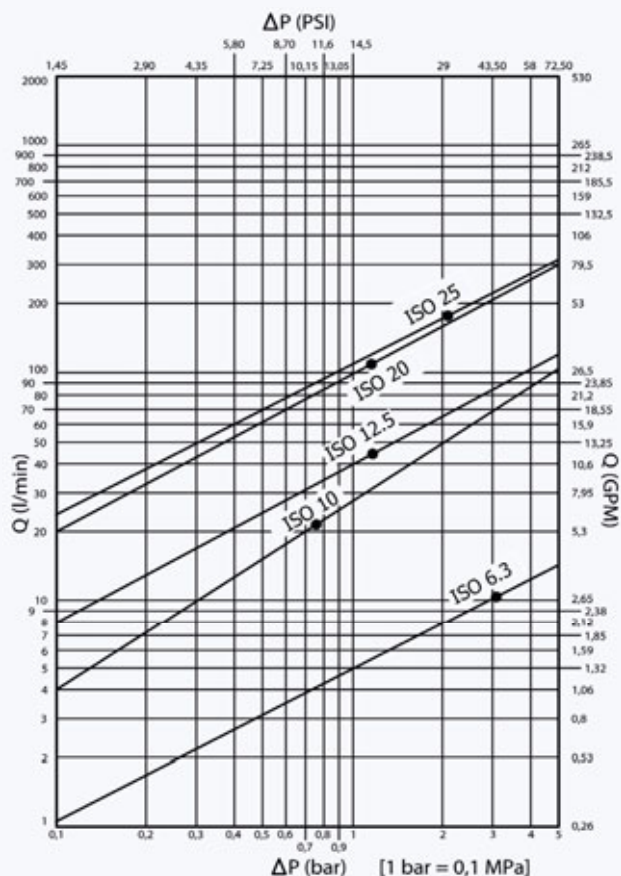
1 MPa = 145.04 psi • 1 l = 0.264 gal

Technische Merkmale D

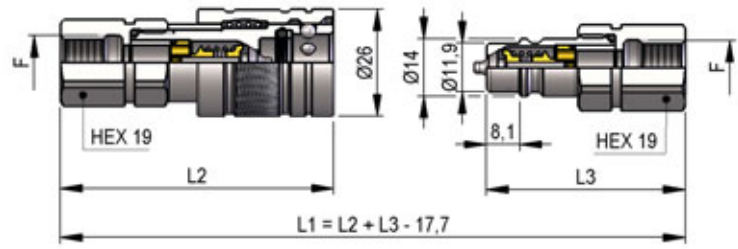
- Norm: ISO 7241 A (DN10→DN25)
- Hülse: doppelwirkend
- Verschluss: ventil
- Kupplung: Radial Kugeln
- Werkstoff: Stahl
- Ausführung: Zn-Fe (Cr III)
- Gewinde: BSP - NPT - SAE - METRISCHE
- Standard-Dichtungen: NBR
- Betriebstemperatur: -25 °C +100 °C
- Dichtungen nach Wahl: FKM, EPDM, usw.
- Betriebsdruck: 225-350 bar
- Kuppeln unter Druck: nicht möglich

Caracteristiques techniques F

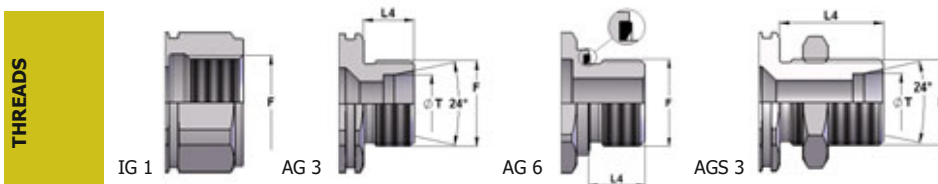
- Norme: ISO 7241 A (DN10→DN25)
- Douille: double action
- Obturation: clapet
- Accrochage: billes radiales
- Matériel: acier
- Traitement: Zn-Fe (Cr III)
- Taraudage: BSP - NPT - SAE - METRIQUES
- Joints standard: NBR
- Température de service: -25 °C +100 °C
- Joints facultatifs: FKM, EPDM, ect.
- Pression de service: 225-350 bar
- Connexion sous pression: pas possible



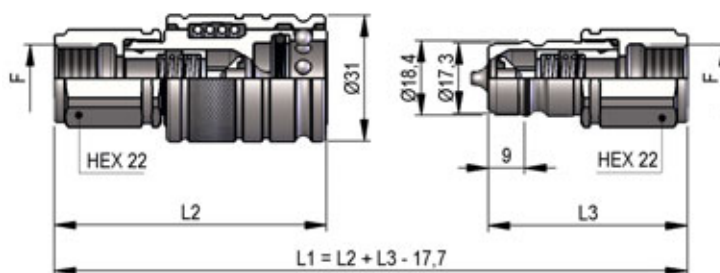
PPV3 DN06 - BG 1 - ISO 6.3



THREADS	L2	L3	L4	ØT	F	STANDARD	FEMMINA - FEMALE - MUFFE - FEMELLE			MASCHIO - MALE - STECKER - MALE		
							COD. F	Weight (g)	Packaging (pcs.)	COD. M	Weight (g)	Packaging (pcs.)
IG 1	64	45.5			BSP 1/4"	DIN 3852-2-X	PPV3.0606.112	147	180	PPV3.0606.113	55	300
	64	45.5			NPT 1/4"	ANSI B1.20.3	PPV3.0606.012	148	180	PPV3.0606.013	57	300
AG 6	64	44	12		BSP 1/4"	DIN 3852-11-X	PPV3.0606.322	139	180	PPV3.0606.323	48	300
AG 3	62	42	10	Ø8L	M14x1.5	ISO 8434-1-L	PPV3.0614.302	136	180	PPV3.0614.303	44	300
AGS 3	77	57	25	Ø8L	M14x1.5	ISO 8434-1-L	PPV3.0614.502	156	100	PPV3.0614.503	65	200

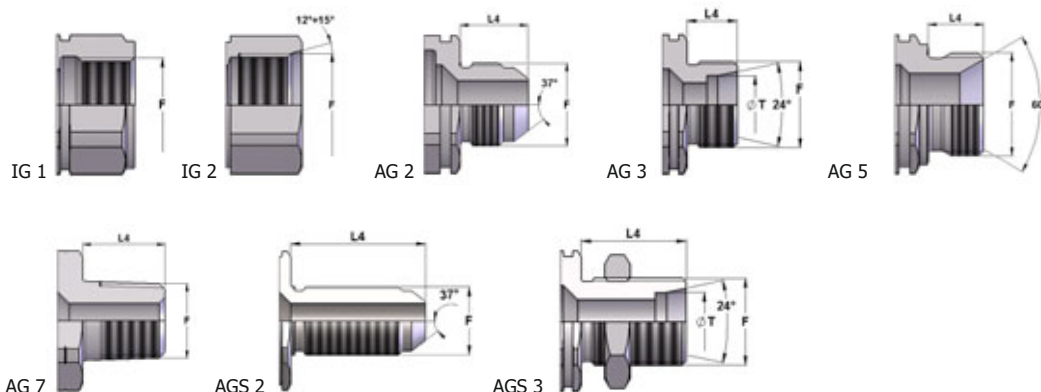


PPV3 DN10 - BG 2 - ISO 10

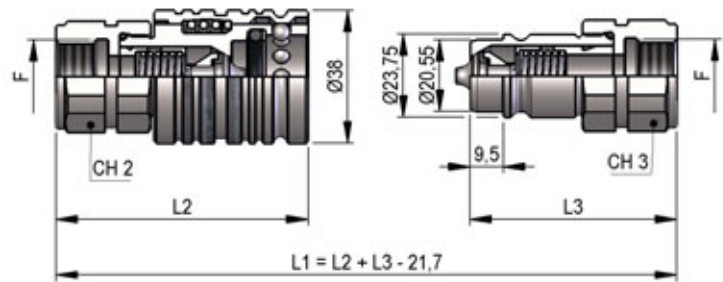


THREADS	L2	L3	L4	ØT	F	STANDARD	FEMMINA - FEMALE - MUFFE - FEMELLE			MASCHIO - MALE - STECKER - MALE		
							COD. F	Weight (g)	Packaging (pcs.)	COD. M	Weight (g)	Packaging (pcs.)
IG 1	67	49			BSP 1/4"	DIN 3852-2-X	PPV3.1006.112	195	60	PPV3.1006.113	82	150
	67	49			NPT 1/4"	ANSI B1.20.3	PPV3.1006.012	196	60	PPV3.1006.013	83	150
	67	49			RC 1/4"	EN 10226	PPV3.1006.042	198	60	PPV3.1006.043	84	150
	67	49			BSP 3/8"	DIN 3852-2-X	PPV3.1010.112	186	60	PPV3.1010.113	73	150
	67	49			NPT 3/8"	ANSI B1.20.3	PPV3.1010.012	188	60	PPV3.1010.013	74	150
	67	49			M16x1.5	ISO 6149-1	PPV3.1016.102	189	60	PPV3.1016.103	75	150
	67	49			M18x1.5	ISO 6149-1	PPV3.1018.102	182	60	PPV3.1018.103	69	150
IG 2	67	49			9/16"-18 UNF 2B	SAE J 1926-1	PPV3.1015.032	192	60	PPV3.1015.033	79	150
AG 2	68.9	50.9	14.1		9/16"-18 UNF 2A	SAE J 514	PPV3.1015.302	180	60	PPV3.1015.303	66	150
AGS 2	88.1	70.1	33.3		9/16"-18 UNF 2A	SAE J 514	PPV3.1015.502	193	60	PPV3.1015.503	79	120
AG 5	69.3	51.3	12		BSP 3/8"	DIN 3852-2-B	PPV3.1010.212	188	60	PPV3.1010.213	75	150
	68.8	50.8	12		BSP 1/4"	DIN 3852-2-A	PPV3.1006.712	183	60	PPV3.1006.713	69	150
	69.3	51.3	12		BSP 3/8"	DIN 3852-2-A	PPV3.1010.712	188	60	PPV3.1010.713	75	150
AG 7	68.8	50.8	14		NPT 1/4"	ANSI B1.20.3	PPV3.1006.022	182	60	PPV3.1006.023	69	150
	68.8	50.8	14		R 1/4"-19	EN 10226	PPV3.1006.052	182	60	PPV3.1006.053	69	150
AG 3	64.8	46.8	10	06L	M12x1.5	ISO 8434-1-L	PPV3.1012.302	177	60	PPV3.1012.303	64	150
	64.8	46.8	10	08L	M14x1.5	ISO 8434-1-L	PPV3.1014.302	178	60	PPV3.1014.303	65	150
	65.8	47.8	11	10L	M16x1.5	ISO 8434-1-L	PPV3.1016.302	179	60	PPV3.1016.303	66	150
	65.8	47.8	11	12L	M18x1.5	ISO 8434-1-L	PPV3.1018.302	180	60	PPV3.1018.303	66	150
	66.8	48.8	12	08S	M16x1.5	ISO 8434-1-S	PPV3.1016.402	183	60	PPV3.1016.403	70	150
	66.8	48.8	12	10S	M18x1.5	ISO 8434-1-S	PPV3.1018.402	185	60	PPV3.1018.403	72	150
	66.8	48.8	12	12S	M20x1.5	ISO 8434-1-S	PPV3.1020.402	187	60	PPV3.1020.403	74	150
AGS 3	80.8	62.8	26	06L	M12x1.5	ISO 8434-1-L	PPV3.1012.502	194	60	PPV3.1012.503	81	120
	80.8	62.8	26	08L	M14x1.5	ISO 8434-1-L	PPV3.1014.502	198	60	PPV3.1014.503	85	120
	80.8	62.8	26	10L	M16x1.5	ISO 8434-1-L	PPV3.1016.502	204	60	PPV3.1016.503	90	120
	80.8	62.8	26	12L	M18x1.5	ISO 8434-1-L	PPV3.1018.502	209	60	PPV3.1018.503	95	120
	81.8	63.8	27	08S	M16x1.5	ISO 8434-1-S	PPV3.1016.602	212	60	PPV3.1016.603	99	120
	81.8	63.8	27	10S	M18x1.5	ISO 8434-1-S	PPV3.1018.602	219	60	PPV3.1018.603	105	120
	81.8	63.8	27	12S	M20x1.5	ISO 8434-1-S	PPV3.1020.602	228	60	PPV3.1020.603	115	120

THREADS

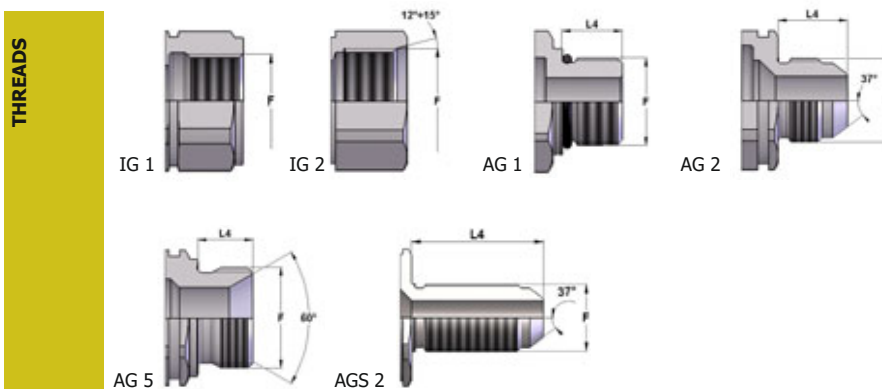


PPV3 DN13 - BG 3 - ISO 12.5



THREADS	CH2	L2	CH3	L3	L4	ØT	F	STANDARD	FEMMINA - FEMALE - MUFFE - FEMELLE			MASCHIO - MALE - STECKER - MALE		
									COD. F	Weight (g)	Packaging (pcs.)	COD. M	Weight (g)	Packaging (pcs.)
IG 1	30	72	30	59			BSP 3/8"	DIN 3852-2-X	PPV3.1310.112	324	35	PPV3.1310.113	166	60
	30	74.5	30	61.5			NPT 3/8"	ANSI B1.20.3	PPV3.1310.012	350	35	PPV3.1310.013	192	60
	30	74.5	30	59.5			RC 3/8"	EN 10226	PPV3.1310.042	345	35	PPV3.1310.043	187	60
	30	72	30	59			BSP 1/2"	DIN 3852-2-X	PPV3.1313.112	320	35	PPV3.1313.113	162	60
	30	75	30	62			NPT 1/2"	ANSI B1.20.3	PPV3.1313.012	334	35	PPV3.1313.013	176	60
	30	76.5	30	63.5			RC 1/2"	EN 10226	PPV3.1313.042	341	35	PPV3.1313.043	183	60
	36	77.5	36	64.5			BSP 3/4"	DIN 3852-2-X	PPV3.1319.112	373	35	PPV3.1319.113	215	40
	36	77.5	36	64.5			NPT 3/4"	ANSI B1.20.3	PPV3.1319.012	382	35	PPV3.1319.013	224	40
	30	72	30	59			M14x1.5	ISO 6149-1	PPV3.1314.102	333	35	PPV3.1314.103	175	60
	30	72	30	59			M16x1.5	ISO 6149-1	PPV3.1316.102	327	35	PPV3.1316.103	169	60
	30	72	30	59			M18x1.5	ISO 6149-1	PPV3.1318.102	321	35	PPV3.1318.103	163	60
	30	72	30	59			M20x1.5	ISO 6149-1	PPV3.1320.102	324	35	PPV3.1320.103	166	60
	27	72	27	59			BSP 3/8"	DIN 3852-2-X	PPV5.1310.112	305	35	PPV5.1310.113	147	76
	27	72	27	59			BSP 1/2"	DIN 3852-2-X	PPV5.1313.112	297	35	PPV5.1313.113	139	76
IG 2	30	72	30	59			9/16"-18 UNF 2B	SAE J 1926-1	PPV3.1315.032	331	35	PPV3.1315.033	173	60
	30	72	30	59			3/4"-16 UNF 2B	SAE J 1926-1	PPV3.1319.032	326	35	PPV3.1319.033	168	60
	30	76	30	63			7/8"-14 UNF 2B	SAE J 1926-1	PPV3.1323.032	325	35	PPV3.1323.033	167	60
	30	74	30	61			M16x1.5	SAE J 2244/1	PPV3.1316.112	341	35	PPV3.1316.113	183	60
	30	72	30	59			M22x1.5	SAE J 2244/1	PPV3.1322.102	328	35	PPV3.1322.103	170	60
AG 1	27	72.1	27	59.1	11.1		3/4"-16 UNF 2A	SAE J 1926-3	PPV5.1319.332	292	35	PPV5.1319.333	134	76
	30	75	30	62	16		M20x1.5	ISO 6149-2	PPV3.1320.222	311	35	PPV3.1320.223	153	60
AG 2	30	75.7	30	62.7	16.7		3/4"-16 UNF 2A	SAE J 514	PPV3.1319.302	301	35	PPV3.1319.303	143	60
	30	73.1	30	60.1	14.1		9/16"-18 UNF 2A	SAE J 514	PPV3.1315.302	292	35	PPV3.1315.303	134	60
AGS 2	30	96.6	30	83.6	37.6		3/4"-16 UNF 2A	SAE J 514	PPV3.1319.502	328	35	PPV3.1319.503	170	60
	30	100.1	30	87.1	41.1		7/8"-14 UNF 2A	SAE J 514	PPV3.1323.502	344	35	PPV3.1323.503	186	60
AG 5	30	73.5	30	60.5	12		BSP 3/8"	DIN 3852-2-B	PPV3.1310.212	302	35	PPV3.1310.213	144	60
	30	76	30	63	13		BSP 1/2"	DIN 3852-2-B	PPV3.1313.212	310	35	PPV3.1313.213	152	60
	30	70	30	57	11		M16x1.5	DIN 3863-U	PPV3.1316.702	294	35	PPV3.1316.703	136	60
	30	75	30	62	16		M20x1.5	DIN 3863-U	PPV3.1320.702	307	35	PPV3.1320.703	148	60
	30	73	30	60	14		M22x1.5	DIN 3863-U	PPV3.1322.702	304	35	PPV3.1322.703	146	60

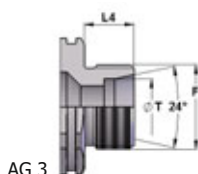
segue/follows/folgt/suite →



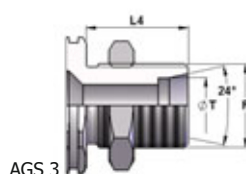
PPV3 DN13 - BG 3 - ISO 12.5

THREADS	CH2	L2	CH3	L3	L4	ØT	F	STANDARD	FEMMINA - FEMALE - MUFFE - FEMELLE			MASCHIO - MALE - STECKER - MALE		
									COD. F	Weight (g)	Packaging (pcs.)	COD. M	Weight (g)	Packaging (pcs.)
AG 3	30	69	30	56	10	Ø8L	M14x1.5	ISO 8434-1-L	PPV3.1314.302	292	35	PPV3.1314.303	134	60
	30	70	30	57	11	Ø10L	M16x1.5	ISO 8434-1-L	PPV3.1316.302	293	35	PPV3.1316.303	135	60
	30	70	30	57	11	Ø12L	M18x1.5	ISO 8434-1-L	PPV3.1318.302	294	35	PPV3.1318.303	136	60
	30	71	30	58	12	Ø15L	M22x1.5	ISO 8434-1-L	PPV3.1322.302	299	35	PPV3.1322.303	141	60
	30	71	30	58	12	Ø18L	M26x1.5	ISO 8434-1-L	PPV3.1326.302	304	35	PPV3.1326.303	146	60
	30	71	30	58	12	Ø10S	M18x1.5	ISO 8434-1-S	PPV3.1318.402	299	35	PPV3.1318.403	141	60
	30	71	30	58	12	Ø12S	M20x1.5	ISO 8434-1-S	PPV3.1320.402	301	35	PPV3.1320.403	143	60
	30	73	30	60	14	Ø14S	M22x1.5	ISO 8434-1-S	PPV3.1322.402	306	35	PPV3.1322.403	148	60
	30	73	30	60	14	Ø16S	M24x1.5	ISO 8434-1-S	PPV3.1324.402	307	35	PPV3.1324.403	149	60
	30	75	30	62	16	Ø20S	M30x2	ISO 8434-1-S	PPV3.1330.402	323	35	PPV3.1330.403	165	60
	27	69	27	56	10	Ø8L	M14x1.5	ISO 8434-1-L	PPV5.1314.302	279	35	PPV5.1314.303	121	76
	27	70	27	57	11	Ø10L	M16x1.5	ISO 8434-1-L	PPV5.1316.302	293	35	PPV5.1316.303	135	76
	27	70	27	57	11	Ø12L	M18x1.5	ISO 8434-1-L	PPV5.1318.302	281	35	PPV5.1318.303	123	76
	27	71	27	58	12	Ø15L	M22x1.5	ISO 8434-1-L	PPV5.1322.302	286	35	PPV5.1322.303	128	76
	27	71	27	58	12	Ø18L	M26x1.5	ISO 8434-1-L	PPV5.1326.302	291	35	PPV5.1326.303	133	76
AGS 3	30	85	30	72	26	Ø8L	M14x1.5	ISO 8434-1-L	PPV3.1314.502	312	35	PPV3.1314.503	154	60
	30	85	30	72	26	Ø10L	M16x1.5	ISO 8434-1-L	PPV3.1316.502	318	35	PPV3.1316.503	160	60
	30	85	30	72	26	Ø12L	M18x1.5	ISO 8434-1-L	PPV3.1318.502	322	35	PPV3.1318.503	164	60
	30	95	30	82	36	Ø12L	M18x1.5	ISO 8434-1-L	PPV3.1318.512	330	35	PPV3.1318.513	172	60
	30	86	30	73	27	Ø15L	M22x1.5	ISO 8434-1-L	PPV3.1322.502	347	35	PPV3.1322.503	189	60
	30	86	30	73	27	Ø18L	M26x1.5	ISO 8434-1-L	PPV3.1326.502	378	35	PPV3.1326.503	220	60
	30	86	30	73	27	Ø10S	M18x1.5	ISO 8434-1-S	PPV3.1318.602	333	35	PPV3.1318.603	175	60
	30	86	30	73	27	Ø12S	M20x1.5	ISO 8434-1-S	PPV3.1320.602	341	35	PPV3.1320.603	183	60
	30	88	30	75	29	Ø14S	M22x1.5	ISO 8434-1-S	PPV3.1322.602	360	35	PPV3.1322.603	202	60
	30	88	30	75	29	Ø16S	M24x1.5	ISO 8434-1-S	PPV3.1324.602	365	35	PPV3.1324.603	207	60
	30	88	30	75	29	Ø20S	M30x2	ISO 8434-1-S	PPV3.1330.602	419	35	PPV3.1330.603	261	60
	27	85	27	72	26	Ø12L	M18x1.5	ISO 8434-1-L	PPV5.1318.502	309	35	PPV5.1318.503	151	76
	27	86	27	73	27	Ø15L	M22x1.5	ISO 8434-1-L	PPV5.1322.502	335	35	PPV5.1322.503	177	76

THREADS

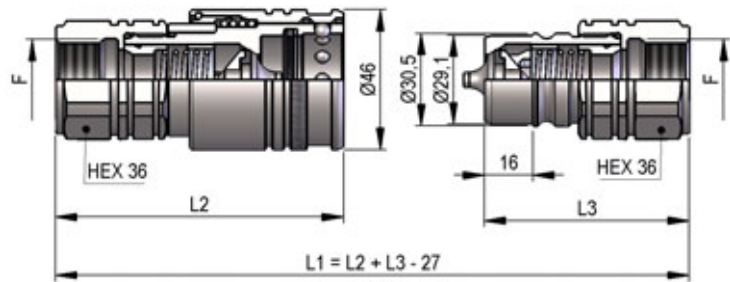


AG 3



AGS 3

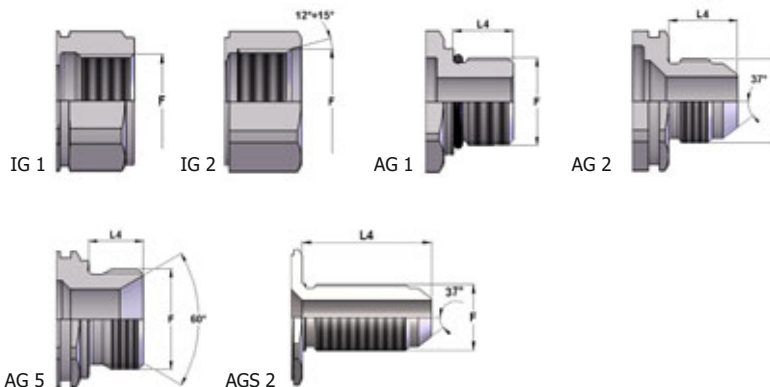
PPV3 DN20 - BG 4 - ISO 20



THREADS	L2	L3	L4	ØT	F	STANDARD	FEMMINA - FEMALE - MUFFE - FEMELLE			MASCHIO - MALE - STECKER - MALE		
							COD. F	Weight (g)	Packaging (pcs.)	COD. M	Weight (g)	Packaging (pcs.)
IG 1	92.8	65.5			BSP 1/2"	DIN 3852-2-X	PPV3.2013.112	623	24	PPV3.2013.113	288	42
	94.3	67			NPT 1/2"	ANSI B1.20.3	PPV3.2013.012	636	24	PPV3.2013.013	301	42
	94.3	67			RC 1/2"	EN 10226	PPV3.2013.042	636	24	PPV3.2013.043	302	42
	94.8	67.5			BSP 3/4"	DIN 3852-2-X	PPV3.2019.112	603	24	PPV3.2019.113	268	42
	94.3	67			NPT 3/4"	ANSI B1.20.3	PPV3.2019.012	608	24	PPV3.2019.013	274	42
	94.3	67			RC 3/4"	EN 10226	PPV3.2019.042	611	24	PPV3.2019.043	277	42
	90.8	63.5			M18x1.5	ISO 6149-1	PPV3.2018.102	622	24	PPV3.2018.103	287	42
	90.3	63			M22x1.5	ISO 6149-1	PPV3.2022.102	605	24	PPV3.2022.103	270	42
	94.3	67			M26x1.5	ISO 6149-1	PPV3.2026.102	602	24	PPV3.2026.103	267	42
94.3	67			M30x1.5	ISO 6149-1	PPV3.2030.102	575	24	PPV3.2030.103	241	42	
IG 2	90.3	63			3/4"-16 UNF 2B	SAE J 1926-1	PPV3.2019.032	615	24	PPV3.2019.033	280	42
	94.3	67			7/8"-14 UNF 2B	SAE J 1926-1	PPV3.2023.032	627	24	PPV3.2023.033	292	42
	94.3	67			1"1/16-12 UN 2B	SAE J 1926-1	PPV3.2027.032	597	24	PPV3.2027.033	263	42
AG 1	95.8	68.5	18.5		1"1/16-12 UN 2A	SAE J 1926-3	PPV3.2027.332	590	24	PPV3.2027.333	256	42
AG 2	96	68.7	16.7		3/4"-16 UNF 2A	SAE J 514	PPV3.2019.302	569	24	PPV3.2019.303	234	42
	98.6	71.3	19.3		7/8"-14 UNF 2A	SAE J 514	PPV3.2023.302	585	24	PPV3.2023.303	250	42
	101.3	74	22		1"1/16-12 UN 2A	SAE J 514	PPV3.2027.302	593	24	PPV3.2027.303	259	42
AGS 2	116.9	89.6	36.6		3/4"-16 UNF 2A	SAE J 514	PPV3.2019.502	608	10	PPV3.2019.503	273	30
	120.4	93.1	41.1		7/8"-14 UNF 2A	SAE J 514	PPV3.2023.502	612	10	PPV3.2023.503	278	30
	124.7	97.4	45.4		1"1/16-12 UN 2A	SAE J 514	PPV3.2027.502	645	10	PPV3.2027.503	310	30
AG 5	98.3	71	16		BSP 3/4"	DIN 3852-2-A	PPV3.2019.712	594	24	PPV3.2019.713	260	42

segue/follows/folgt/suite →

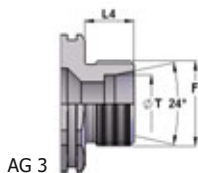
THREADS



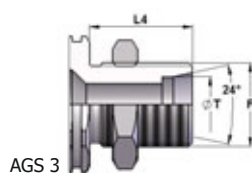
PPV3 DN20 - BG 4 - ISO 20

THREADS	L2	L3	L4	ØT	F	STANDARD	FEMMINA - FEMALE - MUFFE - FEMELLE			MASCHIO - MALE - STECKER - MALE		
							COD. F	Weight (g)	Packaging (pcs.)	COD. M	Weight (g)	Packaging (pcs.)
AG 3	90.3	63	11	12L	M18x1.5	ISO 8434-1-L	PPV3.2018.302	561	24	PPV3.2018.303	226	42
	91.3	64	12	15L	M22x1.5	ISO 8434-1-L	PPV3.2022.302	565	24	PPV3.2022.303	231	42
	91.3	64	12	18L	M26x1.5	ISO 8434-1-L	PPV3.2026.302	572	24	PPV3.2026.303	237	42
	93.3	66	14	22L	M30x2	ISO 8434-1-L	PPV3.2030.302	575	24	PPV3.2030.303	241	42
	91.3	64	12	10S	M18x1.5	ISO 8434-1-S	PPV3.2018.402	564	24	PPV3.2018.403	230	42
	91.3	64	12	12S	M20x1.5	ISO 8434-1-S	PPV3.2020.402	567	24	PPV3.2020.403	232	42
	93.3	66	14	14S	M22x1.5	ISO 8434-1-S	PPV3.2022.402	571	24	PPV3.2022.403	236	42
	93.3	66	14	16S	M24x1.5	ISO 8434-1-S	PPV3.2024.402	574	24	PPV3.2024.403	239	42
	95.3	68	16	20S	M30x2	ISO 8434-1-S	PPV3.2030.402	588	24	PPV3.2030.403	253	42
AGS 3	105.3	78	26	12L	M18x1.5	ISO 8434-1-L	PPV3.2018.502	589	10	PPV3.2018.503	254	30
	106.3	79	27	15L	M22x1.5	ISO 8434-1-L	PPV3.2022.502	614	10	PPV3.2022.503	279	30
	106.3	79	27	18L	M26x1.5	ISO 8434-1-L	PPV3.2026.502	646	10	PPV3.2026.503	311	30
	113.3	86	34	22L	M30x2	ISO 8434-1-L	PPV3.2030.502	682	10	PPV3.2030.503	348	30
	106.3	79	27	10S	M18x1.5	ISO 8434-1-S	PPV3.2018.602	597	10	PPV3.2018.603	262	30
	106.3	79	27	12S	M20x1.5	ISO 8434-1-S	PPV3.2020.602	608	10	PPV3.2020.603	273	30
	108.3	81	29	14S	M22x1.5	ISO 8434-1-S	PPV3.2022.602	623	10	PPV3.2022.603	289	30
	108.3	81	29	16S	M24x1.5	ISO 8434-1-S	PPV3.2024.602	631	10	PPV3.2024.603	296	30
	113.3	86	34	20S	M30x2	ISO 8434-1-S	PPV3.2030.602	677	10	PPV3.2030.603	343	30
AGS 4	117.8	90.5	38.5		1"-14 UNS 2A	SAE J 1453	PPV3.2025.532	644	10	PPV3.2025.533	310	30
	119.3	92	40		1"3/16-12 UN 2A	SAE J 1453	PPV3.2030.532	688	10	PPV3.2030.533	353	30

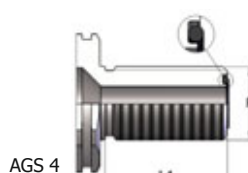
THREADS



AG 3

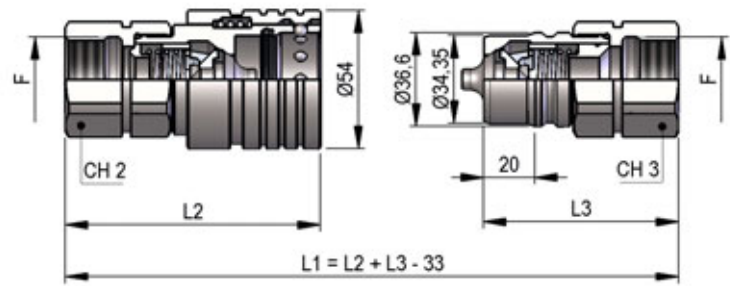


AGS 3



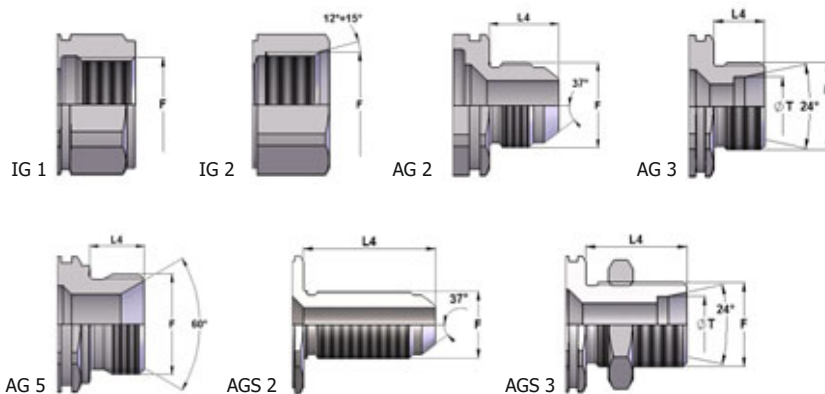
AGS 4

PPV3 DN25 - BG 5 - ISO 25



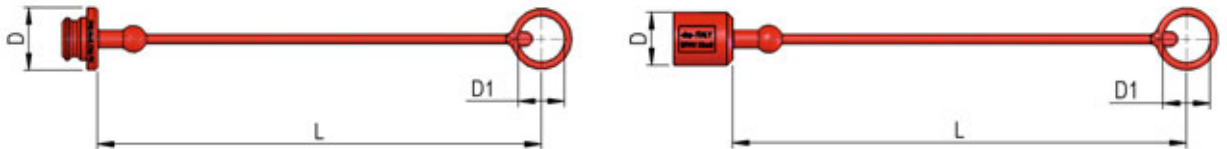
THREADS	CH2	L2	CH3	L3	L4	ØT	F	STANDARD	FEMMINA - FEMALE - MUFFE - FEMELLE			MASCHIO - MALE - STECKER - MALE		
									COD. F	Weight (g)	Packaging (pcs.)	COD. M	Weight (g)	Packaging (pcs.)
IG 1	41	99.5	41	76			BSP 3/4"	DIN 3852-2-X	PPV3.2519.112	853	18	PPV3.2519.113	453	30
	41	99.5	41	76			NPT 3/4"	ANSI B1.20.3	PPV3.2519.012	860	18	PPV3.2519.013	460	30
	41	99.5	41	76			RC 3/4"	EN 10226	PPV3.2519.042	860	18	PPV3.2519.043	460	30
	41	99.5	41	76			BSP 1"	DIN 3852-2-X	PPV3.2525.112	798	18	PPV3.2525.113	398	30
	41	99.5	41	76			NPT 1"	ANSI B1.20.3	PPV3.2525.012	811	18	PPV3.2525.013	411	30
	41	99.5	41	76			M30x1.5	ISO 6149-1	PPV3.2530.102	826	18	PPV3.2530.103	426	30
IG 2	41	99.5	41	76			1"1/16-12 UN 2B	SAE J 1926-1	PPV3.2527.032	847	18	PPV3.2527.033	447	30
	41	99.5	41	76			1"5/16-12 UN 2B	SAE J 1926-1	PPV3.2533.032	789	18	PPV3.2533.033	389	30
AG 2	41	103.6	41	80.1	23.1		1"5/16-12 UN 2A	SAE J 514	PPV3.2533.302	788	18	PPV3.2533.303	388	30
AGS 2	41	125.9	41	102.4	45.4		1"5/16-12 UN 2A	SAE J 514	PPV3.2533.502	885	10	PPV3.2533.503	485	25
AG 5	41	101.5	41	78	18		BSP 1"	DIN 3852-2-B	PPV3.2525.212	796	18	PPV3.2525.213	396	30
	41	97.5	41	74	17		BSP 1"	BS B5200	PPV3.2525.702	773	18	PPV3.2525.703	373	30
	41	99.5	41	76	16		BSP 3/4"	DIN 3852-2-A	PPV3.2519.712	772	18	PPV3.2519.713	372	30
	41	101.5	41	78	18		BSP 1"	DIN 3852-2-A	PPV3.2525.712	798	18	PPV3.2525.713	398	30
AG 3	41	92.5	41	69	12	18L	M26x1.5	ISO 8434-1-L	PPV3.2526.302	748	18	PPV3.2526.303	348	30
	41	94.5	41	71	14	22L	M30x2	ISO 8434-1-L	PPV3.2530.302	753	18	PPV3.2530.303	353	30
	41	94.5	41	71	14	28L	M36x2	ISO 8434-1-L	PPV3.2536.302	759	18	PPV3.2536.303	359	30
	46	96.5	46	73	16	35L	M45x2	ISO 8434-1-L	PPV3.2545.302	847	18	PPV3.2545.303	447	30
	41	96.5	41	73	16	20S	M30x2	ISO 8434-1-S	PPV3.2530.402	764	18	PPV3.2530.403	364	30
	41	98.5	41	75	18	25S	M36x2	ISO 8434-1-S	PPV3.2536.402	787	18	PPV3.2536.403	387	30
	46	100.5	46	77	20	30S	M42x2	ISO 8434-1-S	PPV3.2542.402	868	10	PPV3.2542.403	468	25
	55	102.5	55	79	22	38S	M52x2	ISO 8434-1-S	PPV3.2552.402	1056	10	PPV3.2552.403	655	25
AGS 3	41	114.5	41	91	34	18L	M26x1.5	ISO 8434-1-L	PPV3.2526.502	837	10	PPV3.2526.503	436	25
	41	114.5	41	91	34	22L	M30x2	ISO 8434-1-L	PPV3.2530.502	862	10	PPV3.2530.503	462	25
	41	114.5	41	91	34	28L	M36x2	ISO 8434-1-L	PPV3.2536.502	900	10	PPV3.2536.503	499	25
	46	120.5	46	97	40	35L	M45x2	ISO 8434-1-L	PPV3.2545.502	1114	10	PPV3.2545.503	714	25
	41	116.5	41	93	36	20S	M30x2	ISO 8434-1-S	PPV3.2530.602	879	10	PPV3.2530.603	479	25
	41	118.5	41	95	38	25S	M36x2	ISO 8434-1-S	PPV3.2536.602	940	10	PPV3.2536.603	540	25
	46	120.5	46	97	40	30S	M42x2	ISO 8434-1-S	PPV3.2542.602	1050	10	PPV3.2542.603	650	20
55	133.5	55	110	53	38S	M52x2	ISO 8434-1-S	PPV3.2552.602	1446	10	PPV3.2552.603	1046	20	

THREADS



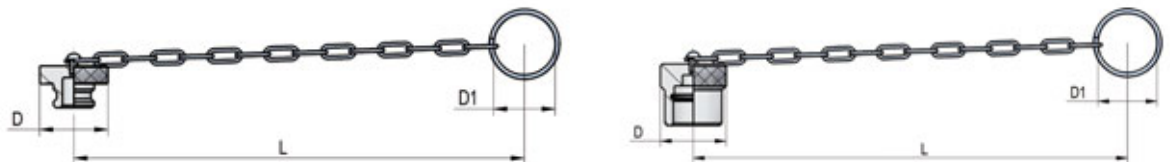
PLASTIC CAPS

NOMINAL SIZE			FEMALE DUST PLUG					MALE DUST CAP					COLOR	MATERIAL
DNP	BG	ISO	COD. F	Dimensions			Weight	COD. M	Dimensions			Weight		
				D	L	D1	(g)		D	L	D1	(g)		
10	2	10	SPAV.10002	28	220	22	14	SPAV.10003	23.5	220	22	16	●	PVC
10	2	10	SPAV.10022	28	220	22	14	SPAV.10023	23.5	220	22	16	●	PVC
10	2	10	SPAV.10032	28	220	22	14	SPAV.10033	23.5	220	22	16	●	PVC
10	2	10	SPAV.10042	28	220	22	14	SPAV.10043	23.5	220	22	16	●	PVC
13	3	12.5	SPAV.13002	35	250	26	20	SPAV.13003	29	250	26	21	●	PVC
13	3	12.5	SPAV.13012	35	250	26	20	SPAV.13013	29	250	26	21	●	PVC
13	3	12.5	SPAV.13022	35	250	26	20	SPAV.13023	29	250	26	21	●	PVC
13	3	12.5	SPAV.13032	35	250	26	20	SPAV.13033	29	250	26	21	●	PVC
13	3	12.5	SPAV.13042	35	250	26	20	SPAV.13043	29	250	26	21	●	PVC
13	3	12.5	SPAV.13052	35	250	26	20	SPAV.13053	29	250	26	21	○	PVC
13	3	12.5	SPAV.13062	35	250	26	20	SPAV.13063	29	250	26	21	●	PVC
20	4	20	SPAV.20002	42	270	36	33	SPAV.20003	36.5	270	36	39	●	PVC
20	4	20	SPAV.20012	42	270	36	33	SPAV.20013	36.5	270	36	39	●	PVC
20	4	20	SPAV.20032	42	270	36	33	SPAV.20033	36.5	270	36	39	●	PVC
20	4	20	SPAV.20042	42	270	36	33	SPAV.20043	36.5	270	36	39	●	PVC
20	4	20	SPAV.20052	42	270	36	33	SPAV.20053	36.5	270	36	39	○	PVC
20	4	20	SPAV.20062	42	270	36	33	SPAV.20063	36.5	270	36	39	●	PVC
25	5	25	SPAV.25002	54	235	41	46	SPAV.25003	49	235	41	53	●	PVC

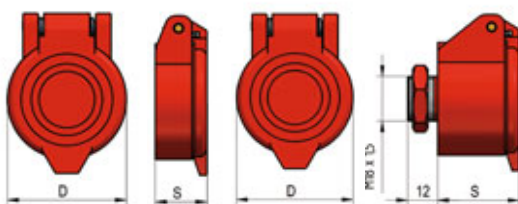


METAL CAPS

NOMINAL SIZE			FEMALE DUST PLUG					MALE DUST CAP					MATERIAL
DNP	BG	ISO	COD. F	Dimensions			Weight	COD. M	Dimensions			Weight	
				D	L	D1	(g)		D	L	D1	(g)	
10	2	10	SPAV.10202	30	200	33	42	SPAV.10203	30	200	33	50	Aluminum
13	3	12.5	SPAV.13202	38	205	32	51	SPAV.13203	38	205	32	70	Aluminum
20	4	20	SPAV.20202	45	275	47	66	SPAV.20203	45	275	47	107	Aluminum
25	5	25	SPAV.25202	43	240	41	59	SPAV.25203	45	290	41	119	Aluminum

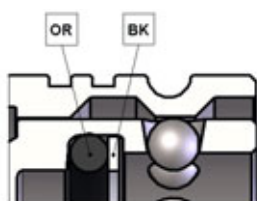


AUTOMATIC CAPS



NOMINAL SIZE			AUTOMATIC FEMALE CAP			AUTOMATIC MALE CAP			COLOR	MATERIAL		
DNP	BG	ISO	COD. F	Dimensions		Weight	COD. M	Dimensions		Weight		
				D	S	(g)		D	S	(g)		
13	3	12.5	SPPV.13302	46	18.4	24	SPPV.13303	46	33	60	●	Nylon
13	3	12.5	SPPV.13312	46	18.4	24	-	-	-	-	●	Nylon
13	3	12.5	SPPV.13322	46	18.4	24	-	-	-	-	●	Nylon
13	3	12.5	SPPV.13332	46	18.4	24	SPPV.13333	46	33	60	●	Nylon
13	3	12.5	SPPV.13342	46	18.4	24	SPPV.13343	46	33	60	●	Nylon

SPARE PARTS



NOMINAL SIZE			FEMALE GASKET		
DNP	BG	ISO	OR (NBR*)	BK (PTFE)	
06	1	6.3	PPV.006.120	PPV.006.130	
10	2	10	PPV.010.120	PPV.010.130	
PPV3	13	3	12.5	PPV.013.120	PPV.013.130
PPV5	13	3	12.5	PAV.013.120	PAV.013.130
	20	4	20	PAV.019.120	PAV.019.130
	25	5	25	PAV.025.120	PAV.025.130

*AL CODICE DELLA GUARNIZIONE IN NBR AGGIUNGERE 'E' PER EPDM O 'V' PER VITON

*TO THE NBR GASKET CODE ADD 'E' FOR EPDM OR 'V' FOR VITON

*ZU DER ARTIKELNR. DER NBR DICHTUNG GEBEN SIE 'E' FUER EPDM ODER 'V' FUER VITON AN

*AU CODE DU JOINT EN NBR JOINDRE 'E' POUR EPDM OU 'V' POUR VITON